

10 9 8 7 6 5 4 3 2 1

F

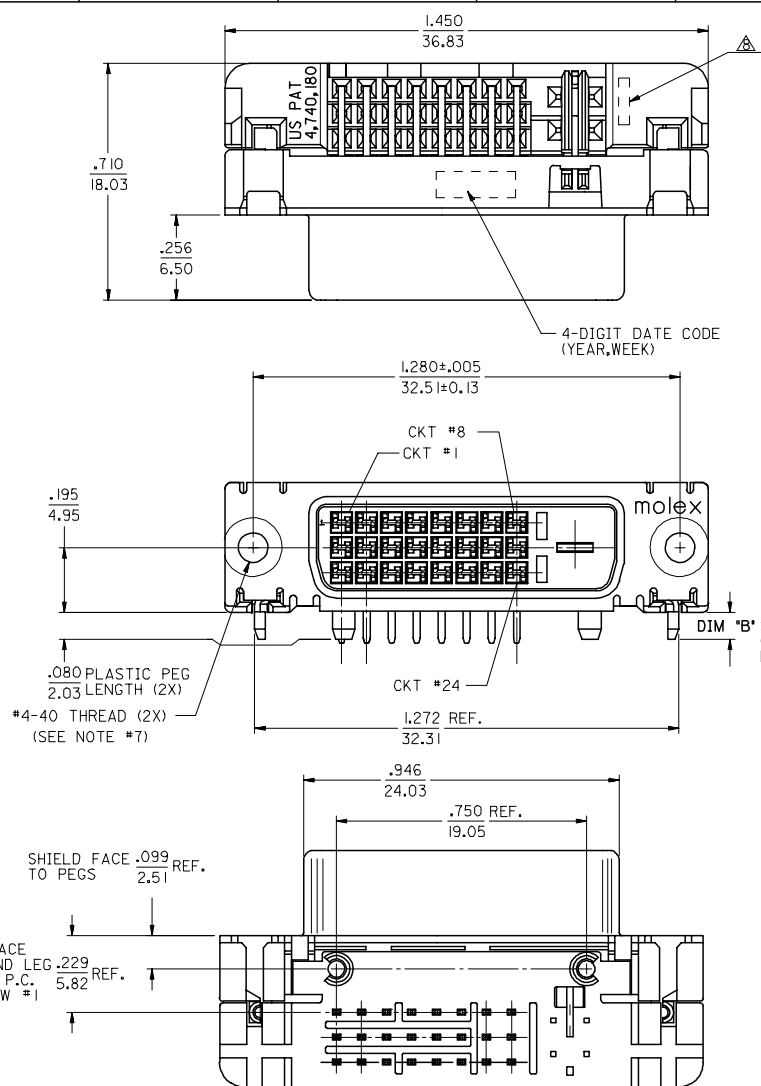
E

D

C

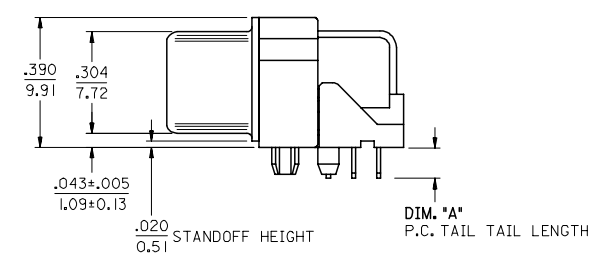
B

A



NOTES:

- MATERIALS:
 SHIELD -- DEEP DRAW STEEL.
 HOUSING -- GLASS FILLED POLYMER, NATURAL (WHITE), UL 94v-0.
 TAIL ALIGNER -- GLASS FILLED POLYMER, NATURAL (WHITE), UL 94v-0.
 CONTACTS -- COPPER ALLOY.
 MICROGROUND -- COPPER ALLOY.
 - PLATING: SEE SHEET 2
 - PRODUCT CONFORMS TO MOLEX PRODUCT SPECIFICATION NUMBER PS-74320-001. REFER TO THIS SPECIFICATION FOR SPACING ON A P.C.B. OF TWO OR MORE CONNECTORS WHEN USING A CABLE OR AN ADAPTER ASSEMBLY.
 - SEE SHEET 2 FOR RECOMMENDED PANEL CUT-OUT AND P.C.B. LAYOUT.
 - PARTS WILL BE PACKAGED IN TRAYS PER PK-74320-010.
 - PRODUCT CONFORMS TO DDWG DVI SPECIFICATION. REFER TO THIS SPECIFICATION FOR CONNECTOR MATING DIMENSIONS.
 - RECOMMENDED MOUNTING HARDWARE IS MOLEX P/N 71781-0001 OR 88780-6066 OR 82007-0300.
 REFER TO PRODUCT SPECIFICATION NUMBER PS-74320-001 FOR THE APPLICATION TORQUE REQUIREMENT FOR ASSEMBLING MOUNTING HARDWARE.
- ▲ CAVITY NO. AND MANUFACTURING PLANT CODE.



SHIELD FACE .099 REF. TO PEGS 2.51

SHIELD FACE TO GROUND LEG .229 & .075± P.C. TAILS ROW #1 5.82 REF.

| PART NUMBER | PLATING OPTION | DIM 'A' | DIM 'B' |
|-------------|----------------|-----------|-----------|
| 74320-4000 | 1 | .092/2.34 | .080±.020 |
| 74320-4001 | 1 | .050/1.27 | 2.03±0.51 |
| 74320-4003 | 1 | .123/3.12 | .110/2.79 |
| 74320-4004 | 2 | .092/2.34 | .080±.020 |
| 74320-4005 | 2 | .050/1.27 | 2.03±0.51 |
| 74320-4016 | 2 | .110/2.79 | .110/2.79 |
| 74320-4007 | 2 | .123/3.12 | .110/2.79 |

REVISE
 EC NO: SH2007-0732
 DRWN: XJSONG
 CHKD: JTIAN
 APPR: INCHEH

2007/06/04
 2007/06/05
 2007/06/22

QUALITY SYMBOLS
 ▽=0
 ▽=0

GENERAL TOLERANCES (UNLESS SPECIFIED)

| | mm | INCH |
|----------|--------|---------|
| 4 PLACES | ± .005 | ± .0005 |
| 3 PLACES | ± .005 | ± .0005 |
| 2 PLACES | ± 0.25 | ± .010 |
| 1 PLACE | ± 0.25 | ± .010 |

ANGULAR ±1/2°

DRAFT WHERE APPLICABLE MUST REMAIN WITHIN DIMENSIONS

DIMENSION STYLE IN/MM

DRAWN BY DATE
 MOSULL IV 1999/02/12

CHECKED BY DATE
 MOSULL IV 1999/02/12

APPROVED BY DATE
 NELLIGAN 1999/02/12

MATERIAL NO.
 SEE CHART

SCALE 2:1

DESIGN UNITS INCH

THIRD ANGLE PROJECTION

TITLE
 DVI-DIGITAL RIGHT ANGLE RECEPTACLE CONNECTOR

MOLEX MOLEX INCORPORATED

DOCUMENT NO. SD-74320-003

SHEET NO. 1 OF 2

THIS DRAWING CONTAINS INFORMATION THAT IS PROPRIETARY TO MOLEX INCORPORATED AND SHOULD NOT BE USED WITHOUT WRITTEN PERMISSION

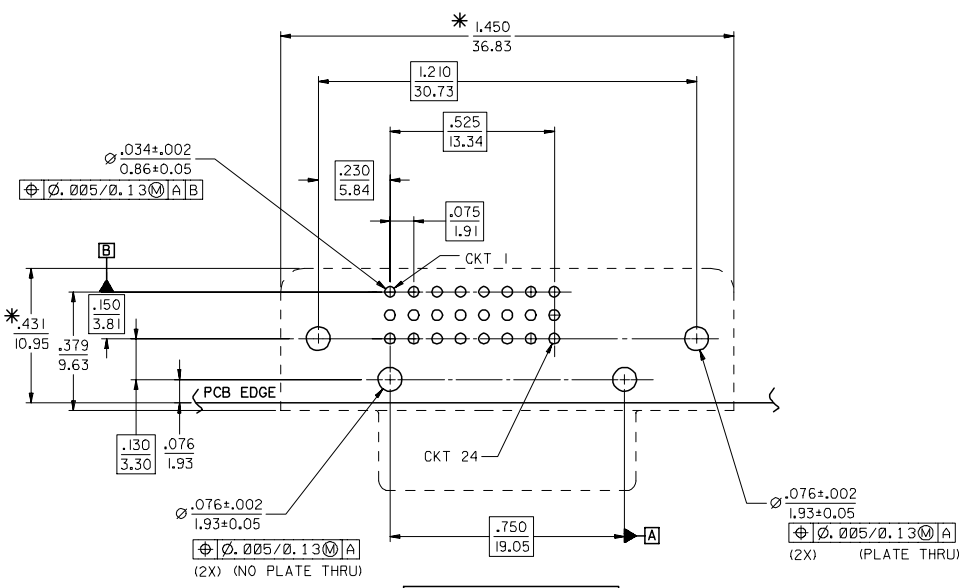
9 8 7 6 5 4 3 2 1

10 9 8 7 6 5 4 3 2 1

F

E

D



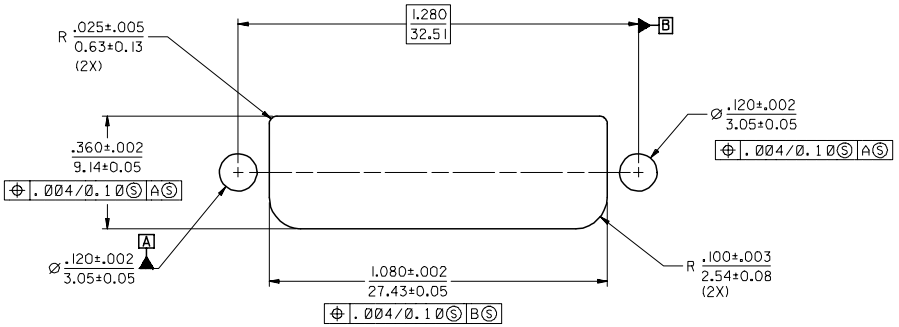
RECOMMENDED PCB LAYOUT

*THESE DIMENSIONS REPRESENT CONNECTOR OVERLAY ON PCB.

PLATING OPTIONS:
PLATING OPTION #1:
 OUTER SHIELD -- 150u"/(3.75um) MIN. BRIGHT TIN OVER
 50u"/(1.27um) MIN. NICKEL OVER COPPER FLASH.
 .075"/(1.91mm) CONTACTS -- 30u"/(0.75um) MIN. SELECT GOLD AND
 100u"/(2.50um) MIN. SELECT PURE TIN
 OVER 50u"/(1.27um) MIN. NICKEL OVERALL.
PLATING OPTION #2:
 OUTER SHIELD -- 150u"/(3.75um) MIN. BRIGHT TIN OVER
 50u"/(1.27um) MIN. NICKEL OVER COPPER FLASH.
 .075"/(1.91mm) CONTACTS -- SELECT GOLD FLASH AND
 100u"/(2.50um) MIN. SELECT PURE TIN
 OVER 50u"/(1.27um) MIN. NICKEL OVERALL.

C

B



RECOMMENDED PANEL CUT-OUT
 PANEL THICKNESS: .030" - .040"

SEE SHEET 1
 EC NO: SH2007-0732
 DRWN: J.SONG 2007/06/04
 CHKD: J.TIAN 2007/06/05
 APPR: J.NCHEN 2007/06/22

QUALITY SYMBOLS
 ▽=0
 ▽=0

| GENERAL TOLERANCES (UNLESS SPECIFIED) | |
|---------------------------------------|-------|
| mm | INCH |
| 4 PLACES ±--- | ±--- |
| 3 PLACES ±--- | ±.010 |
| 2 PLACES ±0.25 | ±.010 |
| 1 PLACE ±0.25 | ±.010 |
| ANGULAR ±1/2° | |

| DIMENSION STYLE | |
|-----------------|------------|
| IN/MM | |
| DRAWN BY | DATE |
| MOSULL IV | 1999/02/12 |
| CHECKED BY | DATE |
| MOSULL IV | 1999/02/12 |
| APPROVED BY | DATE |
| NELLIGAN | 1999/02/12 |
| MATERIAL NO. | |
| SEE CHART | |

| SCALE | DESIGN UNITS | THIRD ANGLE PROJECTION | |
|---|--------------|---------------------------|------------------|
| 2:1 | INCH | | |
| DVI-DIGITAL RIGHT ANGLE RECEPTACLE CONNECTOR | | | |
| | | MOLEX INCORPORATED | |
| DOCUMENT NO. SD-74320-003 | | | SHEET NO. 2 OF 2 |
| DRAFT WHERE APPLICABLE MUST REMAIN WITHIN DIMENSIONS | | | |
| THIS DRAWING CONTAINS INFORMATION THAT IS PROPRIETARY TO MOLEX INCORPORATED AND SHOULD NOT BE USED WITHOUT WRITTEN PERMISSION | | | |

9 8 7 6 5 4 3 2 1